



Hansen Corporation
a Minebea Group Company

A Hundred Years and Counting . . .

NEW

185-1 Series Smart Actuator

FEATURES

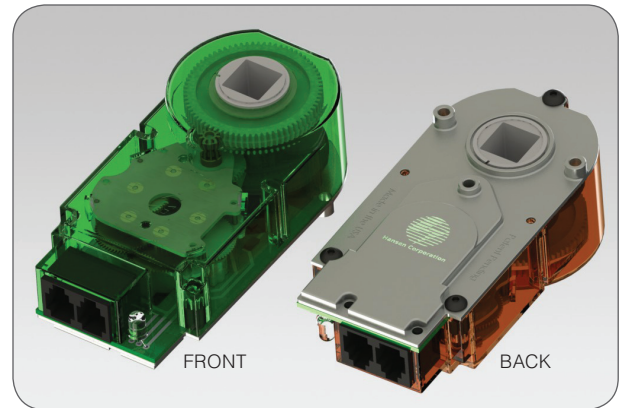
- **Easy Attachment** – Custom output inserts for application mating
- **Easy Power Connection** – Simple RJ12 Phone Jack Connector and Daisy Chain Capable
- **Multi-Color LED** for CW/CCW end of travel indication
- **Compact Design with Diecast and Molded Housing** feature

BENEFITS

- Low power consumption, <100mA
- Position stop sensors and indicators
- Ratio adjustability for various speeds
- Compact and light weight materials

APPLICATIONS

- HVAC Dampers and Valves
- Medical Movement and Pumps
- Industrial Controls
- Pharmaceutical Dispensing



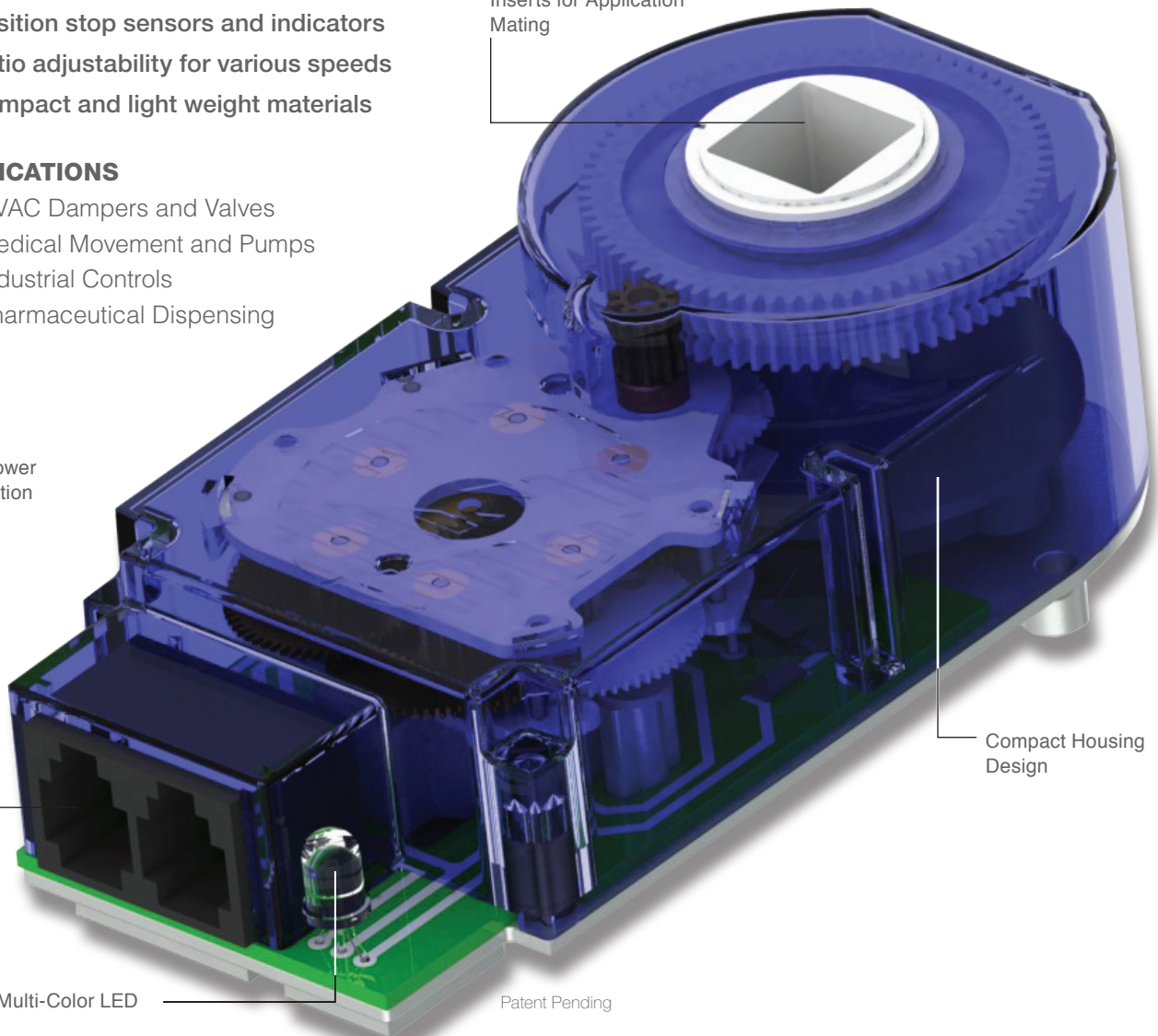
Custom Output Inserts for Application Mating

Easy Power Connection

Compact Housing Design

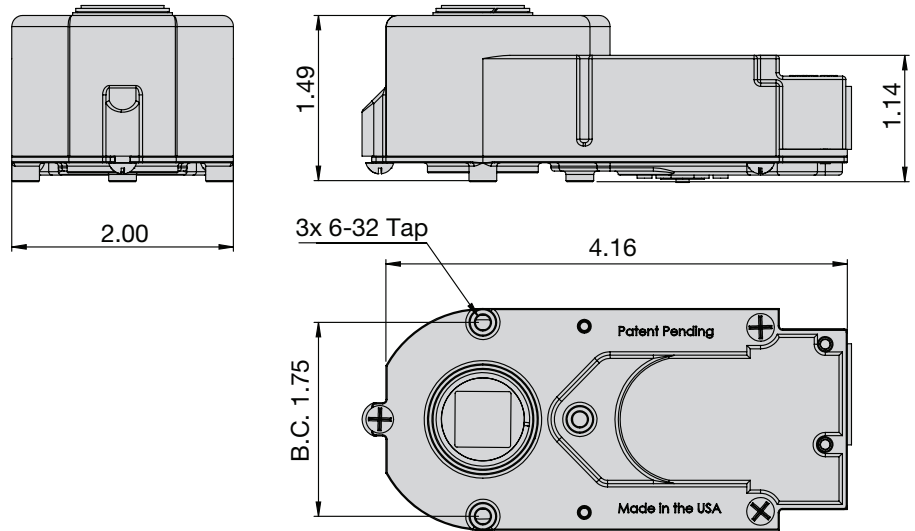
Multi-Color LED

Patent Pending



185-1 Series

Smart Actuator



General Performance Information:

Voltage: 12-36VAC
Current: 100mA Max @ 24VAC
OP Speed*: 0.25 – 3 RPM

*Based on gear ratio

Color Options

Note: Products normal housing color is **Black**



Patent Pending



Made in USA

Hansen Corporation

901 South First Street
Princeton, IN 47670-2369

Tel: (812) 385-3415

Fax: (812) 385-3013

hansen-motor.com